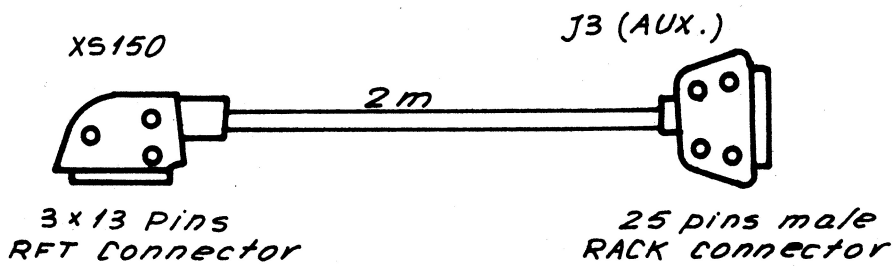


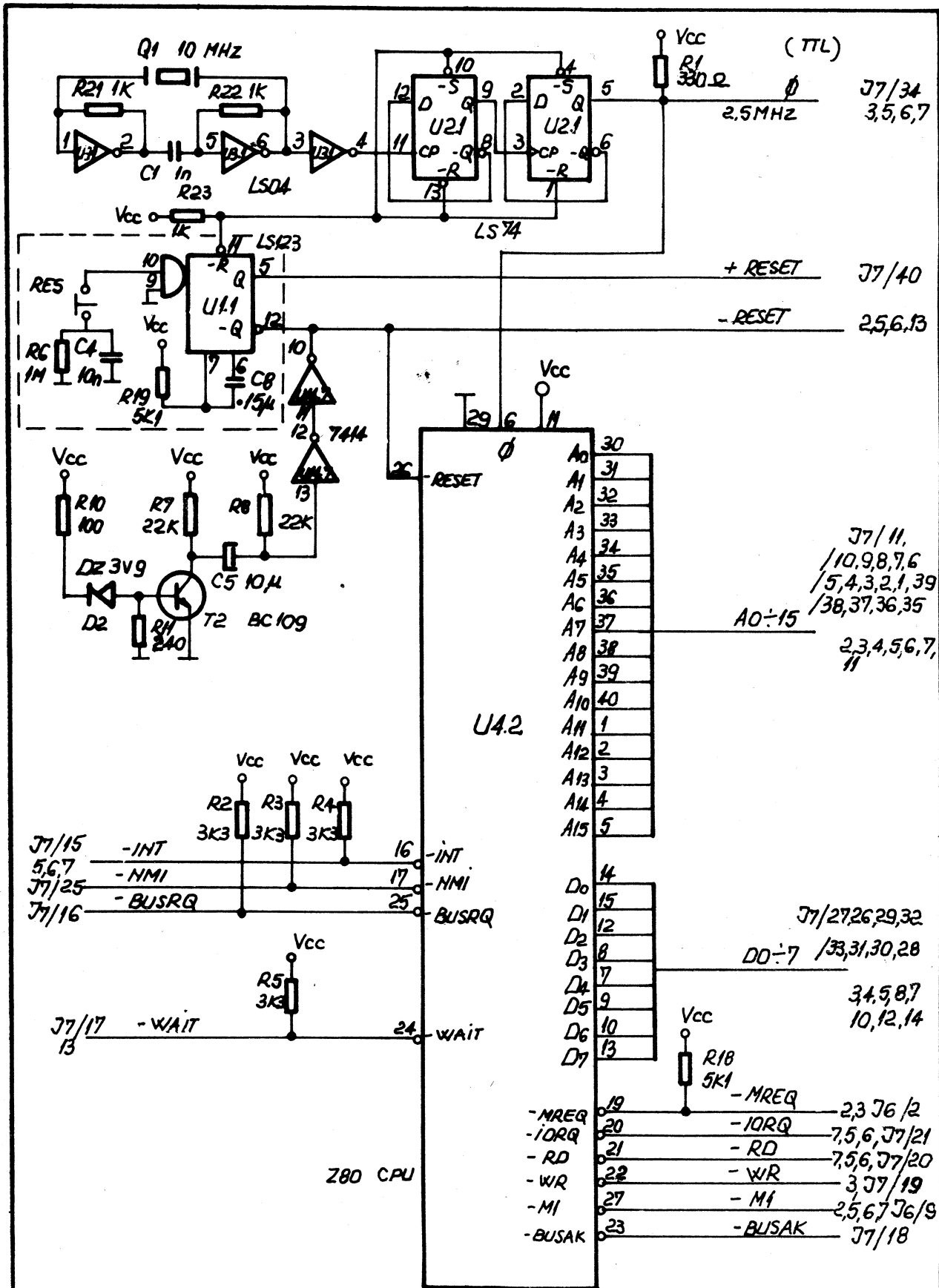
T1. KEYBOARD CONFIGURATION AND CODIFICATION

CABLE FOR CONNECTING ROBOTRON 1157 (IFSP)

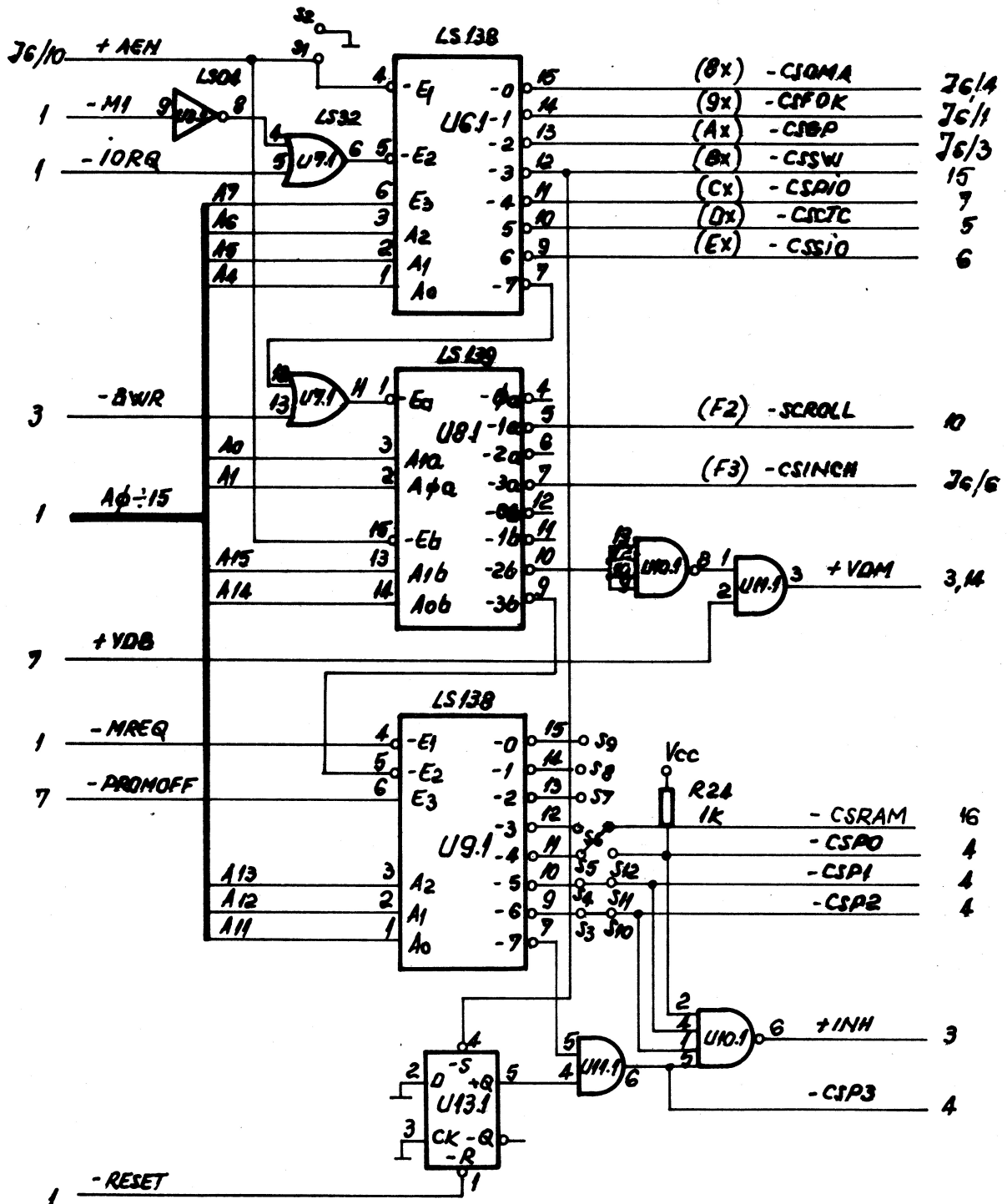
PRINTER AS HARD-COPY FOR VDT 52-S



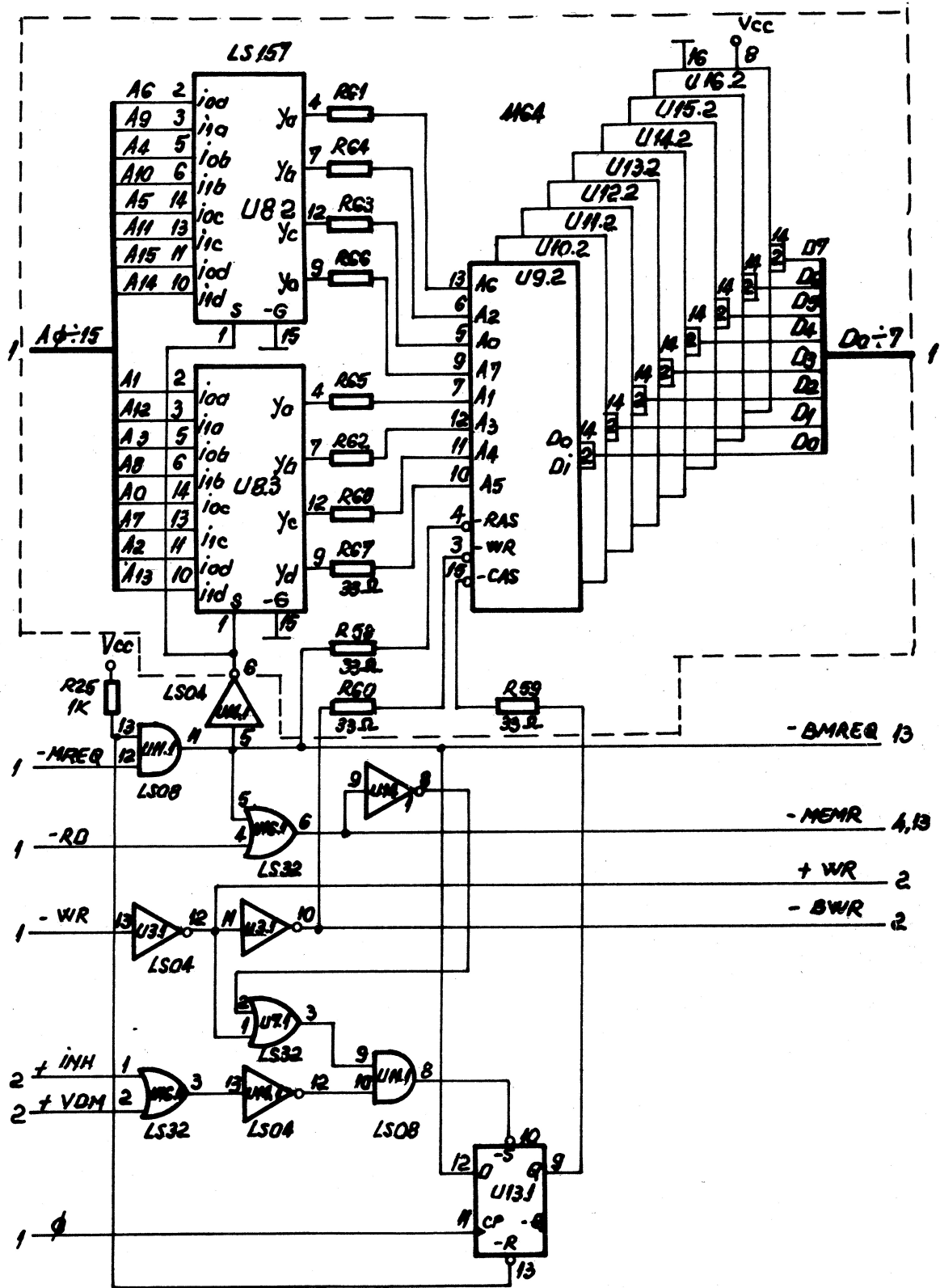
NO.	From XS150	To J3	Signal
1	B2	14	SC
2	B3	23	AC
3	B4	1	50 (GND)
4	B5	9	D0
5	B6	10	D1
6	B7	21	D2
7	B8	22	D3
8	B9	12	D4
9	B10	13	D5
10	B11	25	D6
11	B12	24	D7
12	B13	8	A0
13	A1	1	GND
14	C1	7	GND



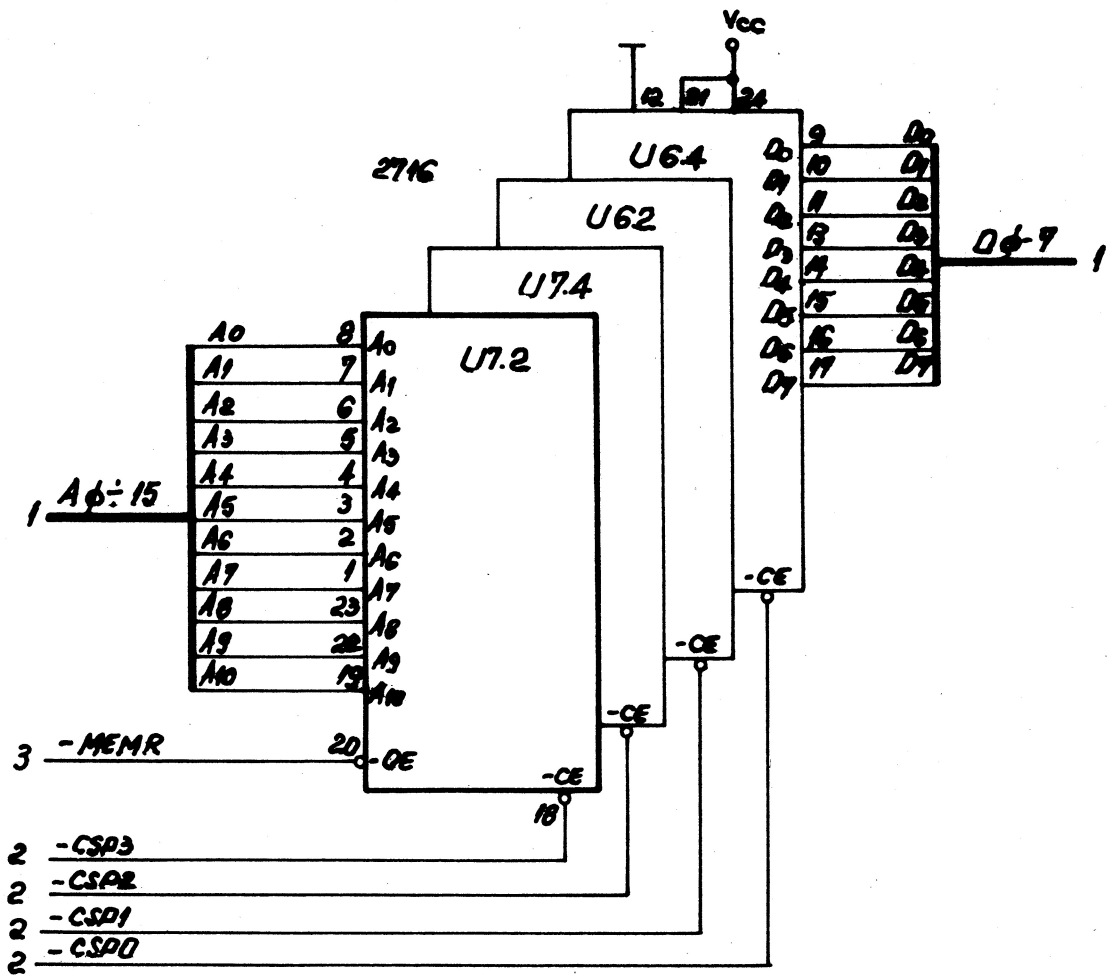
VDT 52-S MAIN BOARD		URC 85.01
Rev.	CPU	
		Sheet 1 of 16



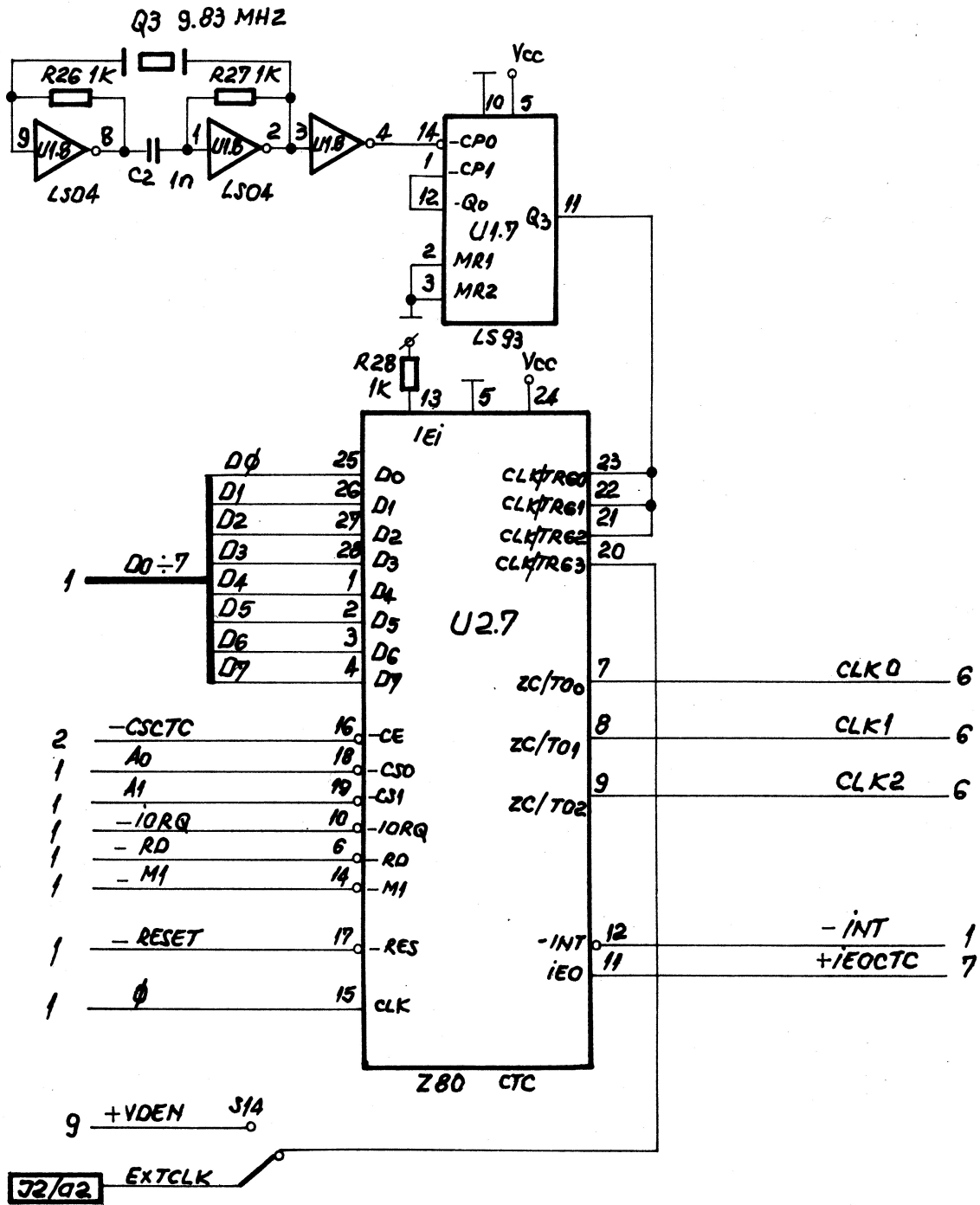
VDT 52-S MAIN BOARD		URC 85.01
Rev.	i/o DECOER	
		Sheet 2 of 16

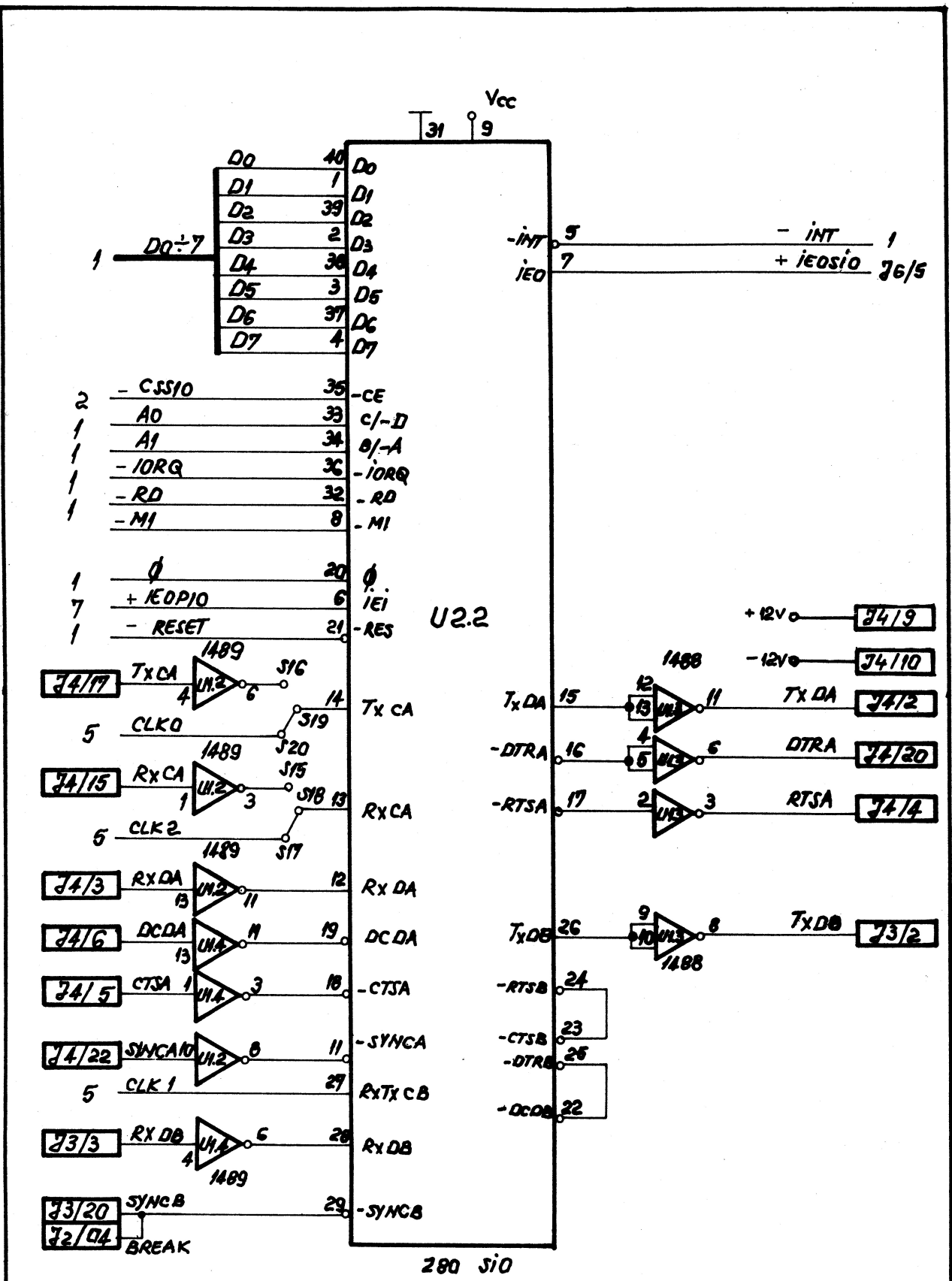


VDT 52-S MAIN BOARD		URC 85.01
Rev	RAM	
		Sheet 3 of 16

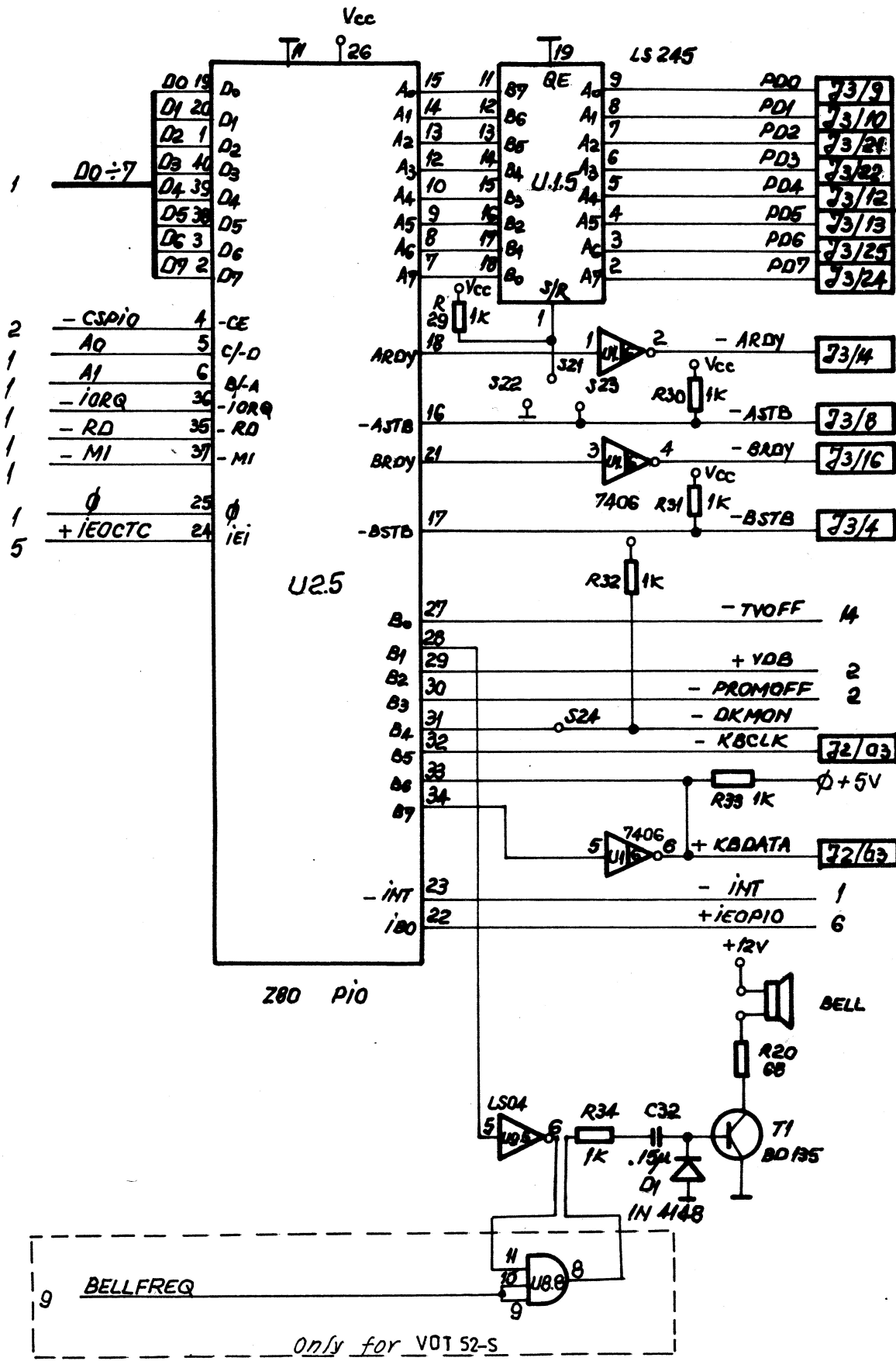


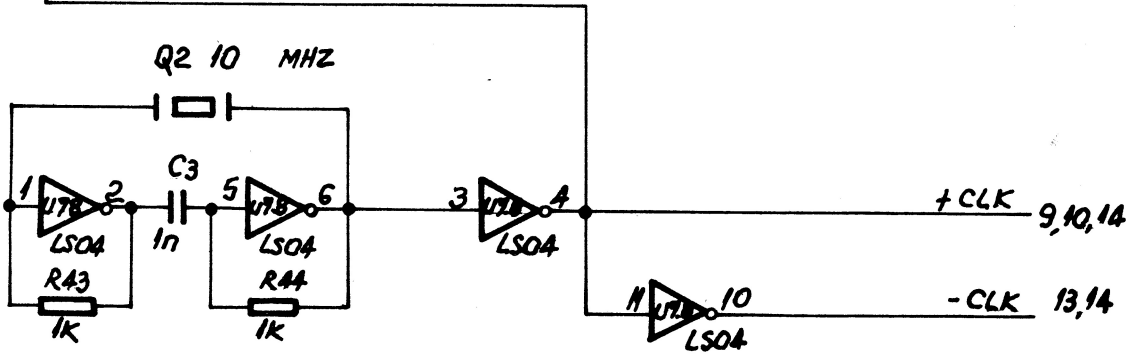
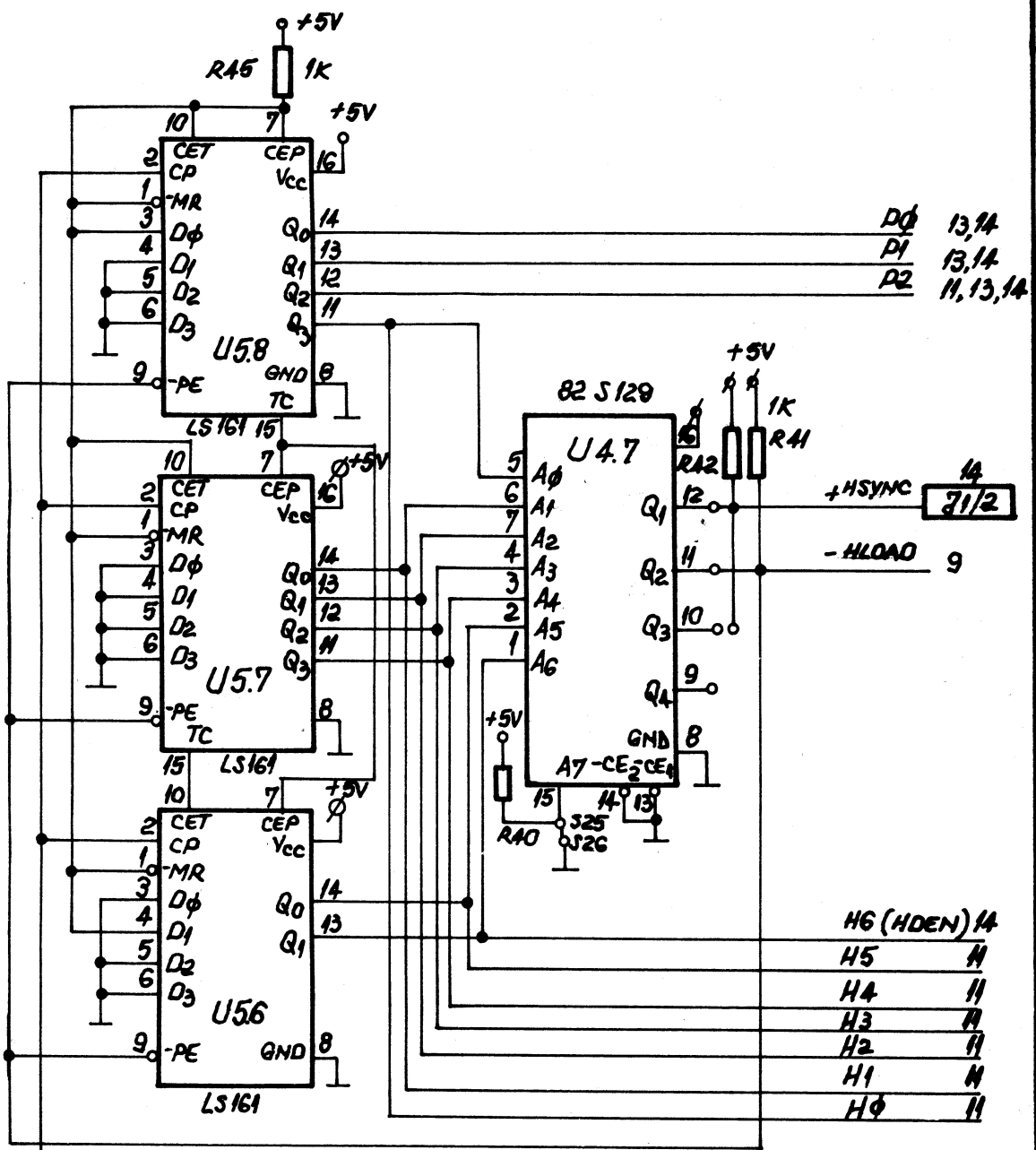
VDT 52-S MAIN BOARD		URC 85.01
Rev	EPROM	
		Sheet 4 of 16



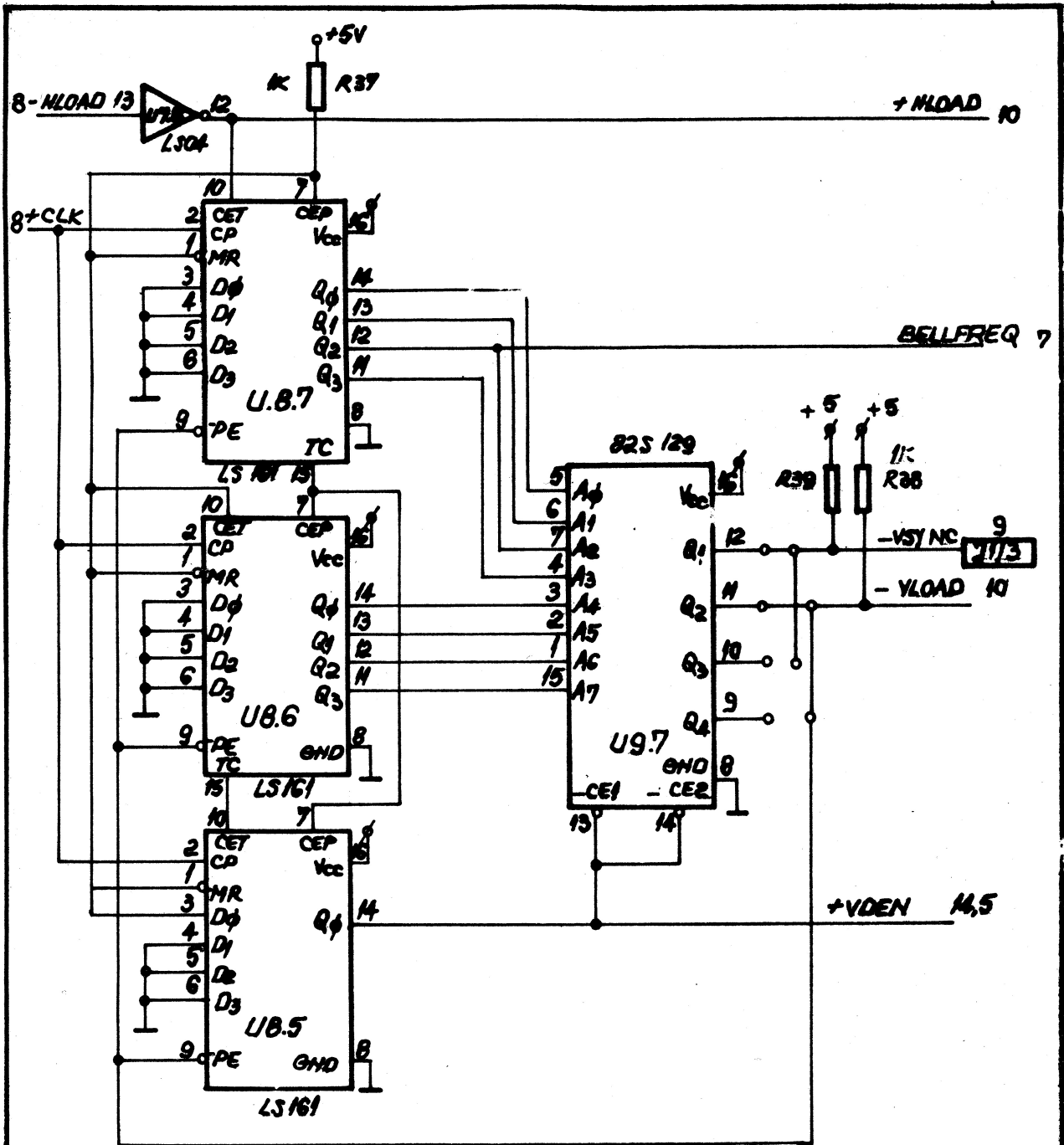


VDT 52-S MAIN BOARD		URC 85.01
	Rev.	SERIAL I/O
		Sheet 6 of 16

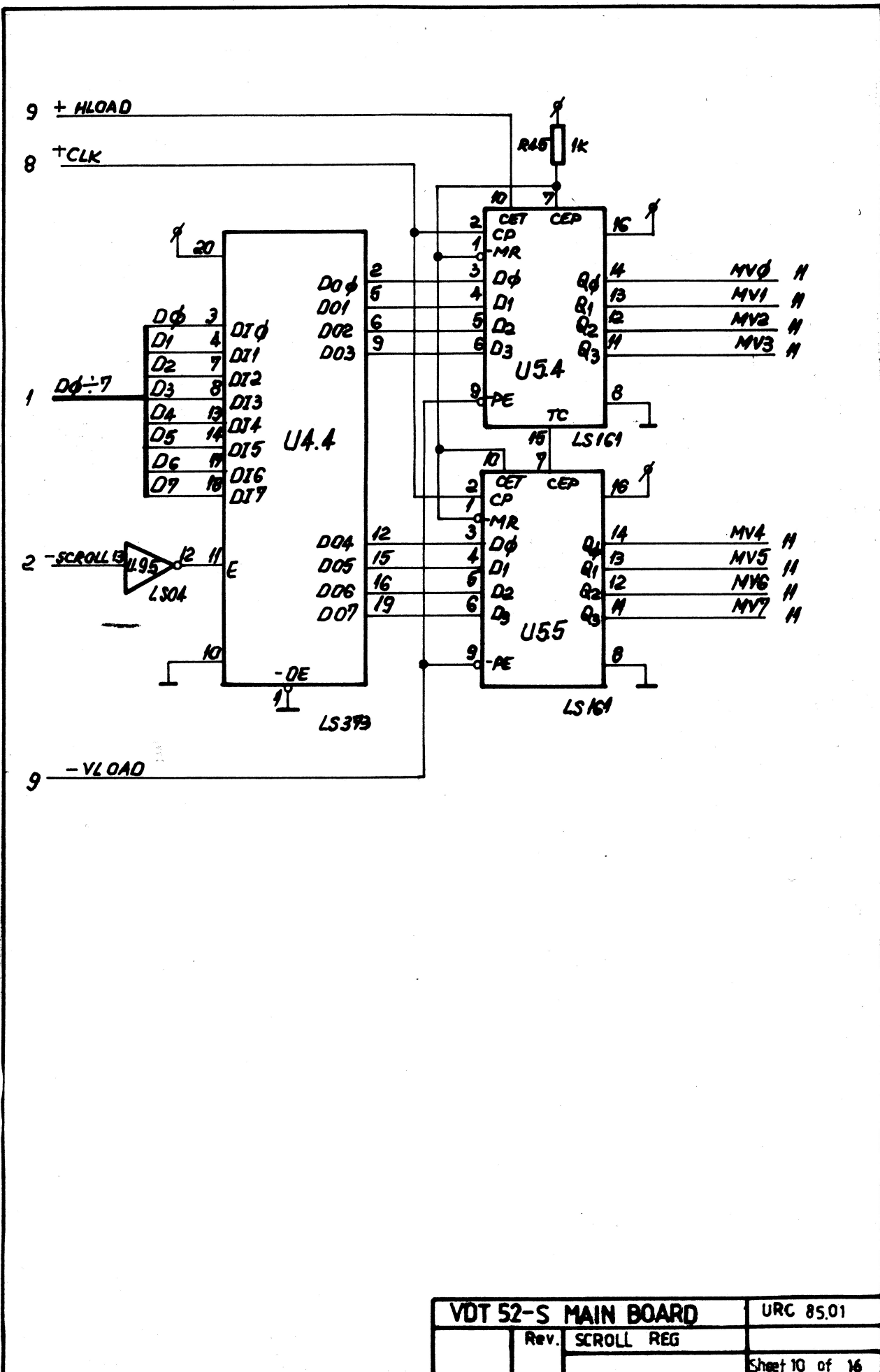




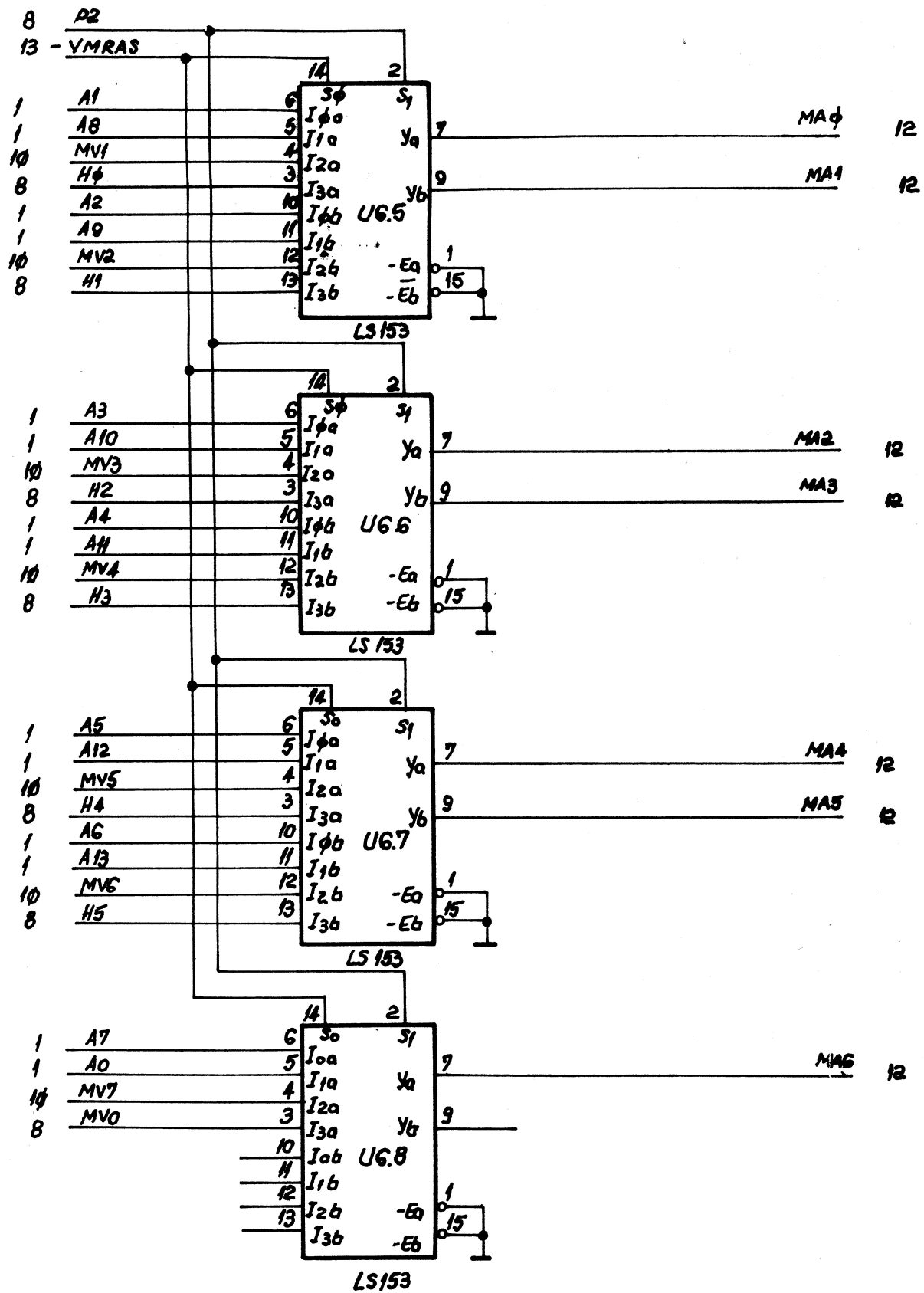
VDT 52-S MAIN BOARD		URC 85.01
Rev	HORIZONTAL SYNC	
		Sheet 8 of 16



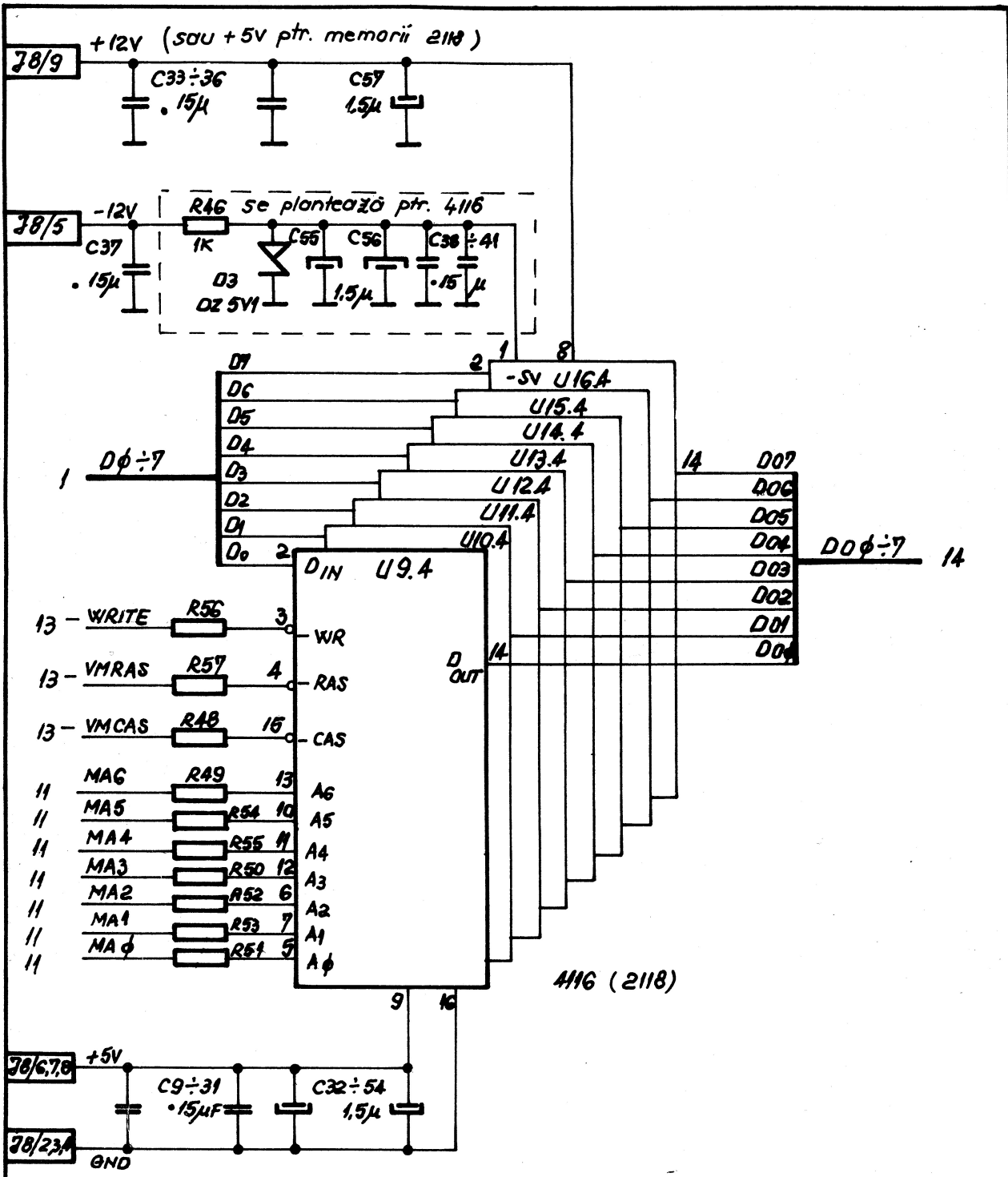
VDT 52-S MAIN BOARD		URC 85.01
Rev	VERTICAL SYNC	
		Sheet 9 of 16

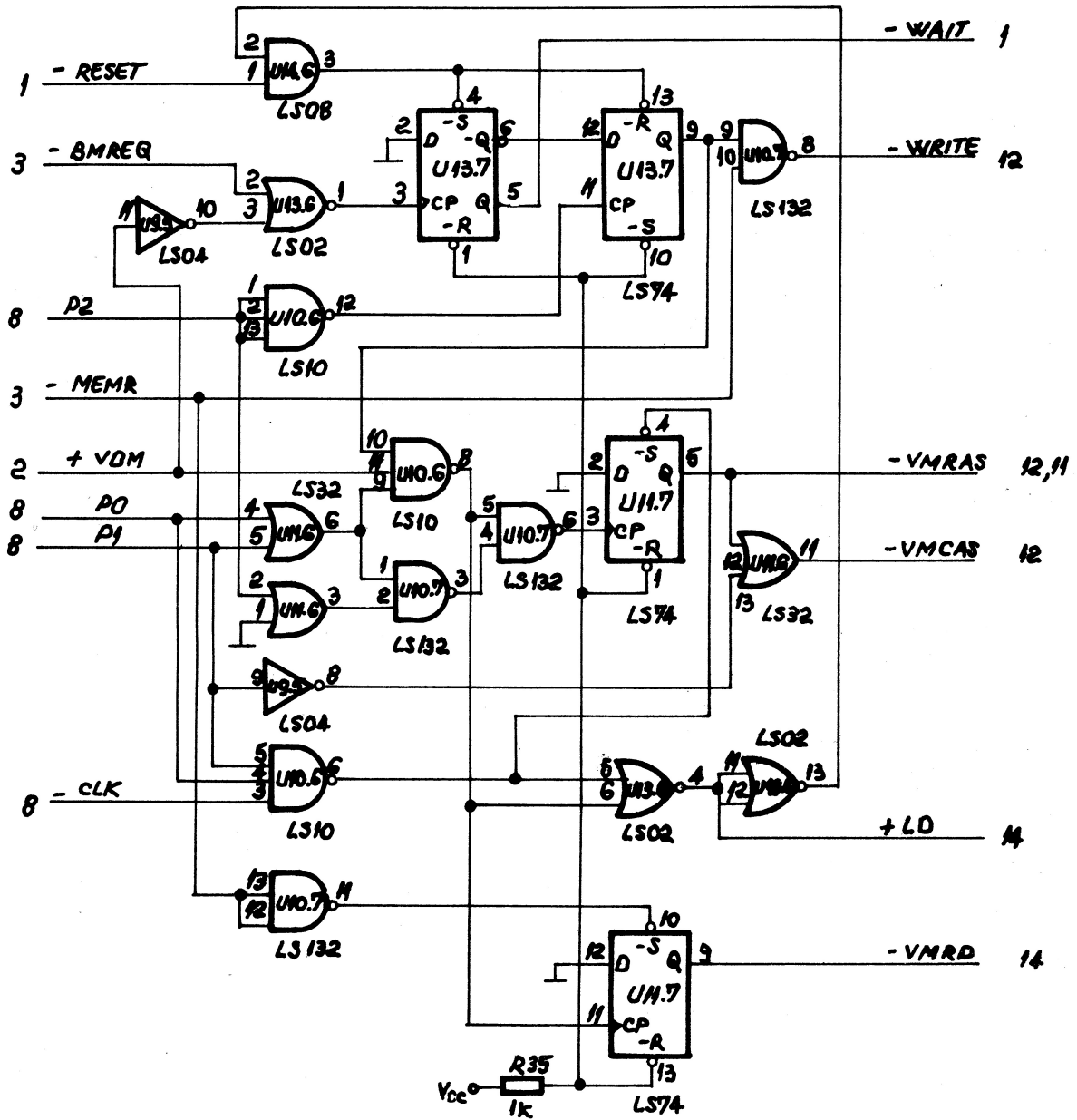


VDT 52-S MAIN BOARD		URC 85.01
Rev.	SCROLL REG	
		Sheet 10 of 16



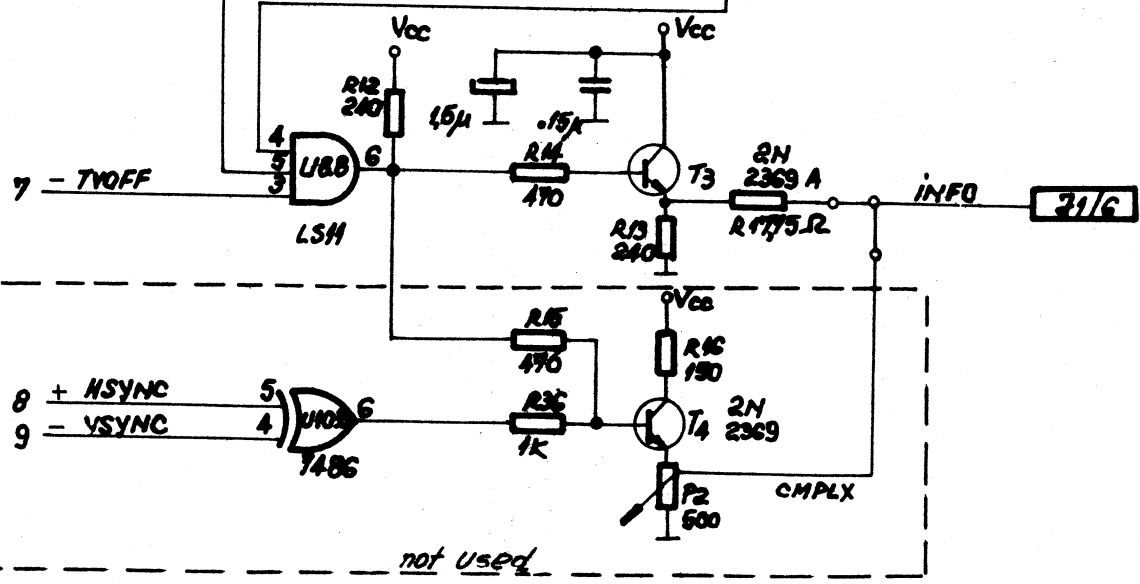
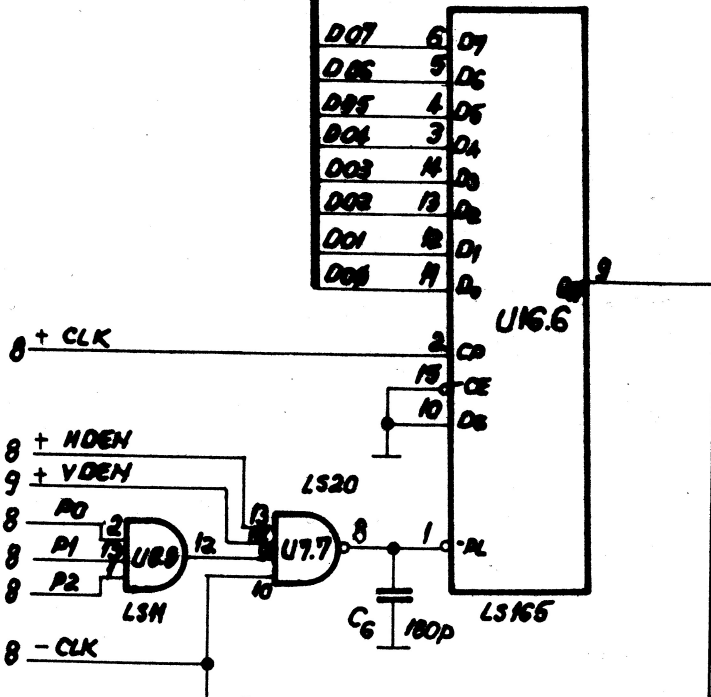
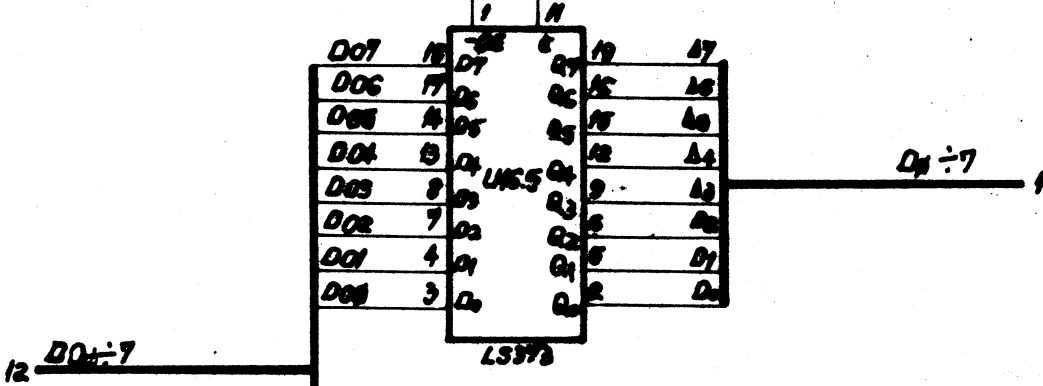
VDT 52-S MAIN BOARD		URC 85.01
Rev.	VIDEO RAM MUX	
		Sheet 11 of 16



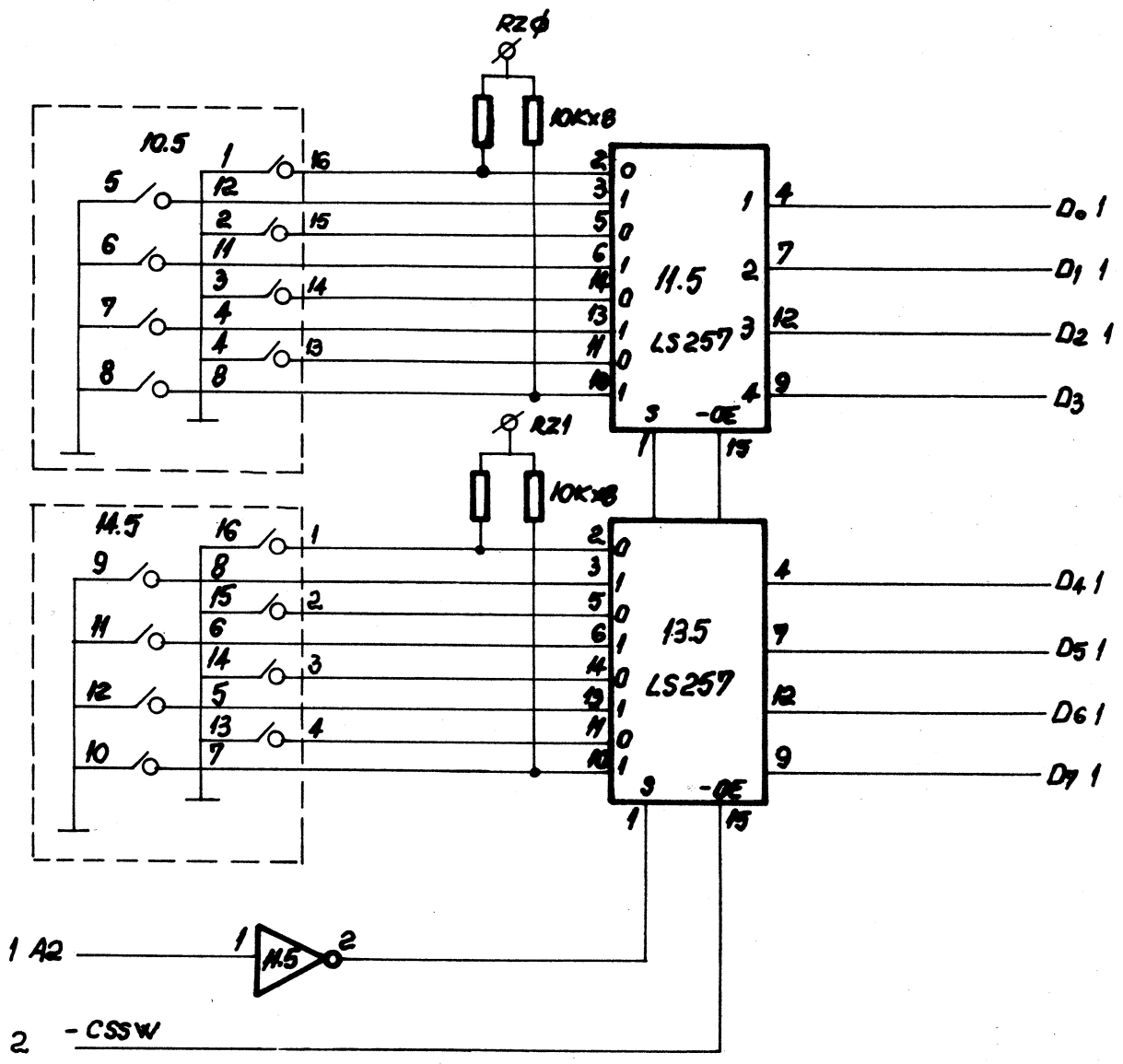


VDT 52-S MAN BOARD		URC 85.01
Rev.	VIDEO CONTROL	
		Sheet 13 of 16

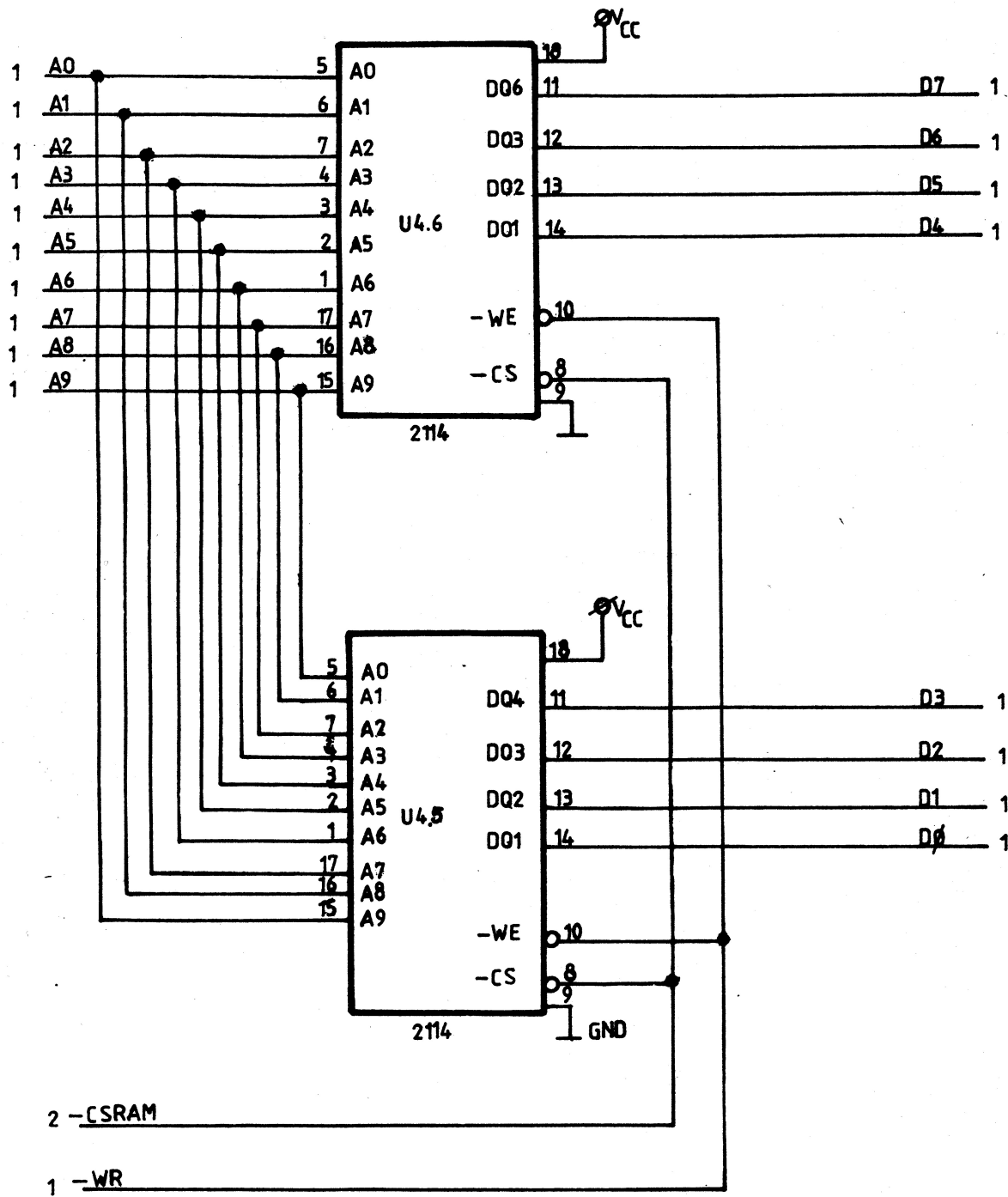
13 +LD
13 -VMRD



VDT 52-S MAIN BOARD		URC 85.01
Rev	TV DRIVER	
		Sheet 14 of 16



VDT 52-S		URC 85.01
Rev.	SWITCHES	
		Sheet 15 of 16



VDT 52-S		
Rev.	STATIC RAM	
		Sheet 16 of 16